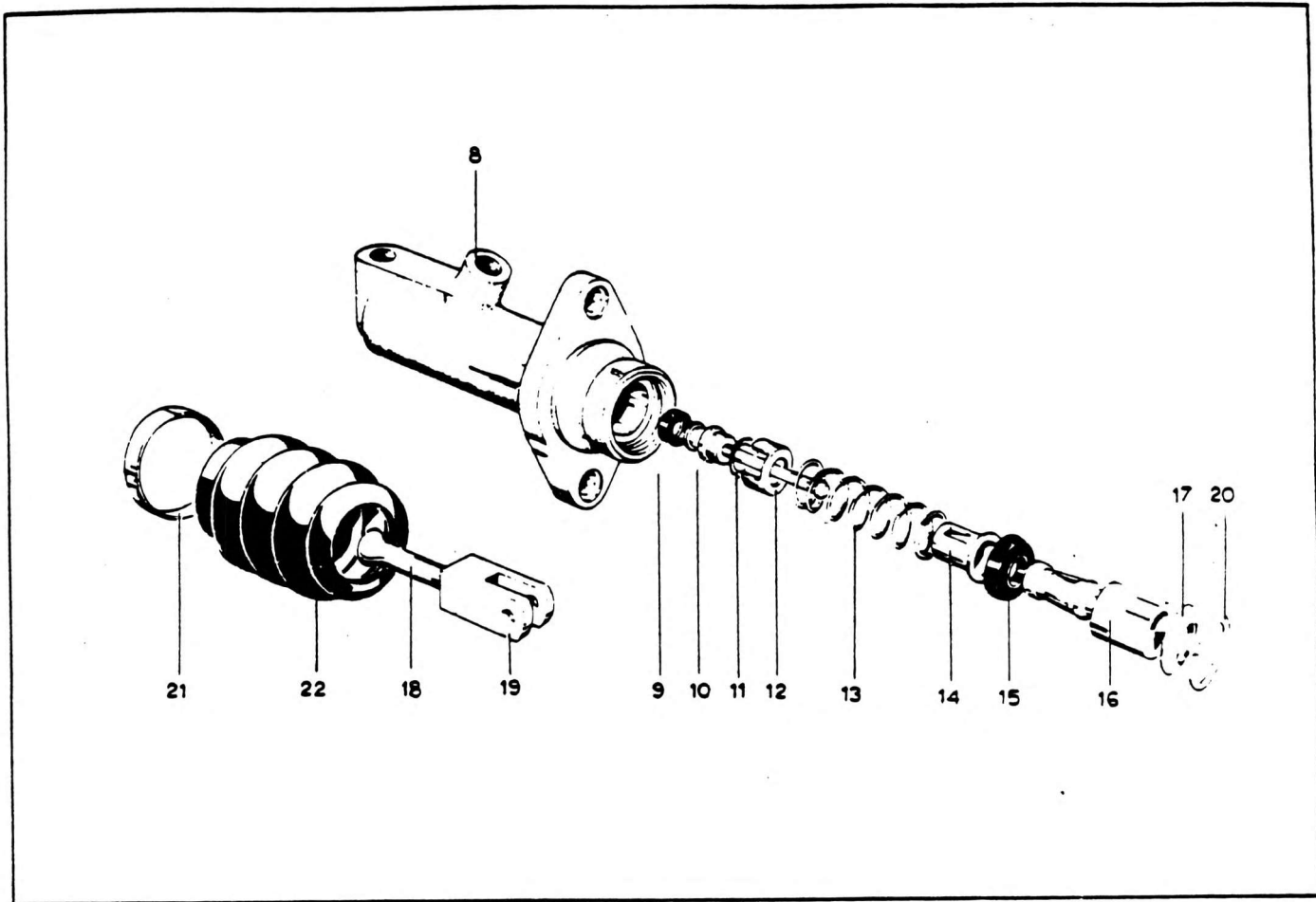


MASTER CYLINDER



| NO.  | PART NO.     | QTY. | DESCRIPTION                                   | NO. | PART NO. | QTY. | DESCRIPTION |
|------|--------------|------|---|-----|----------|------|-------------|
| -    | 8386141      | 1    | Master Cylinder Complete                      |     |          |      |             |
| - *  | 8396871      | 1    | Seal Kit                                      |     |          |      |             |
| 8    | 8756083      | 1    | Body  |     |          |      |             |
| 9 *  | 8756086      | 1    | Seal Valve                                    |     |          |      |             |
| 10   | 704460       | 1    | Stem Valve                                    |     |          |      |             |
| 11   | 704468       | 1    | Washer Spring                                 |     |          |      |             |
| 12   | 723394       | 1    | Spacer  |     |          |      |             |
| 13   | 704461       | 1    | Spring  |     |          |      |             |
| 14   | 704462       | 1    | Retainer                                      |     |          |      |             |
| 15 * | 8756085      | 1    | Seal Plunger                                  |     |          |      |             |
| 16   | 722555       | 1    | Plunger                                       |     |          |      |             |
| -    | 708330       | 1    | Push Rod Assembly Compr. Items 17 18 19       |     |          |      |             |
| 17   | 707584       | 1    | Retaining Washer                              |     |          |      |             |
| 18   | Not Serviced | 1    | Push Rod                                      |     |          |      |             |
| 19   | Not Serviced | 1    | Clevis  |     |          |      |             |
| 20 * | 702299       | 1    | Circlip                                       |     |          |      |             |
| 21   | 708331       | 1    | Retaining - Dust Cover                        |     |          |      |             |
| 22 * | 708332       | 1    | Dust Cover                                    |     |          |      |             |
| -    | 8988099      | 1    | Retaining Disc (Used with Dust Cover Item 22) |     |          |      |             |

8386141  
Issue No. 00